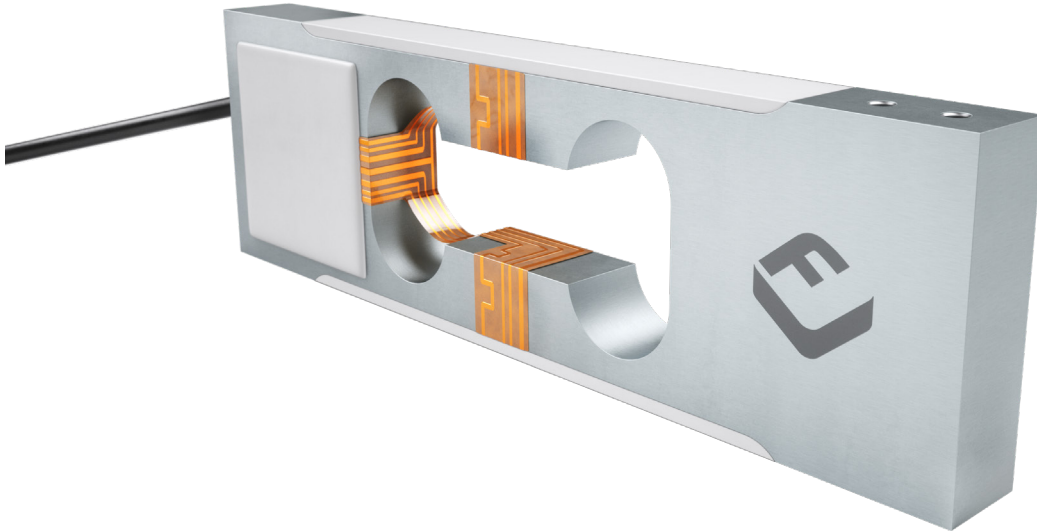

PA3 miniature single-point load cell



product description

The PA3 is a series of low capacity, aluminium single-point load cells intended for a wide range of industrial applications.

Due to the compact design, the PA3 can be integrated into low-capacity weighing machinery, medical devices and general machinery for process automation and control.

The PA3 has a range of capacities, extending from 0.3kg to 5kg. It features full-bridge, bonded-foil strain gauge technology, which offers excellent long-term stability.

applications

General test and measurement and machine monitoring and control. Ideal for small scales, packaging and assembly machinery or end-of-line test equipment.

accessories

A comprehensive range of electronic modules and accessories available

key features

Very low capacity single-point
from 300g to 5,000g

Slim and compact design

High-performance longevity

Built from high-grade aluminium

High accuracy

Environmental protection to IP66

options

Range of cable lengths

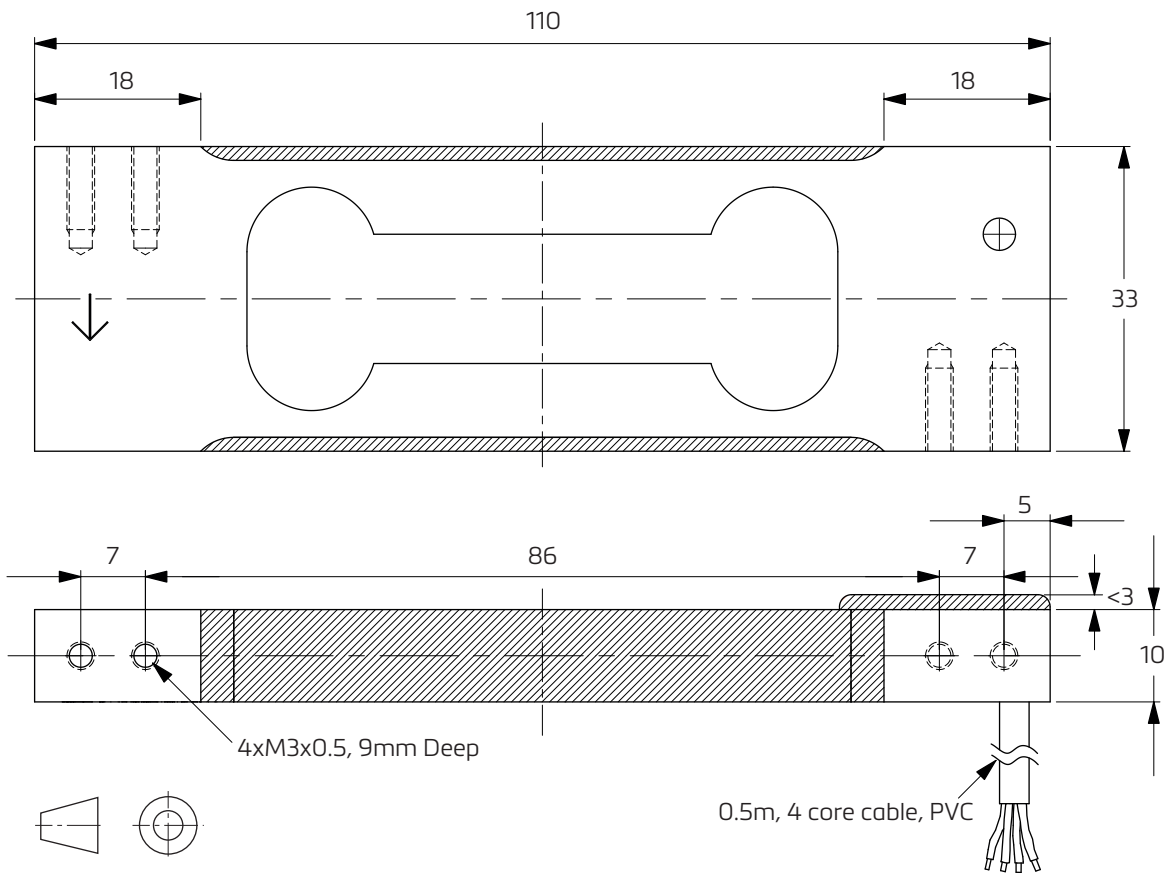
Flying leads or cable connectors



specifications

Maximum capacity E_{max}	kg	0.3, 0.5, 1	2, 3, 5
Accuracy class	-	GP	G3
Temperature effect on minimum dead load output TC_0	%RO/10°C	N/A	±0.0280
Rated output RO	mV/V	1±0.1	
Zero balace	mV/V	±0.2	
Temperature effect on sensitivity TC_{RO}	%RO/10°C	±0.0300	±0.0100
Non-linearity	%RO	±0.0400	±0.0166
Hysteresis error	%RO	±0.0400	±0.0166
Creep error (30minites)/DR	%RO	±0.1000	±0.0166
Combined error	%RO	±0.0500	±0.0200
Excitation voltage	V	5...15	
Input resistance	Ω	409±20	
Output resistance	Ω	330±25	
Insulation resistance (100V DC)	MΩ	≥ 5,000	
Off center load error (According to OIML test method)	%RO	0.0200	
Max platform size	mm	200 x 200	
Safe load limit	%* E_{max}	150	
Ultimate load limit	%* E_{max}	300	
Safe side load	%* E_{max}	100	
Compensated temperature range	°C	-10...+40	
Operating temperature range	°C	-20...+65	
Load cell material	-	Aluminium	
Sealing	-	Potted	
Protection	-	IP66	
Recommended torque (M3 8.8)	Nm	1.3	

product dimensions (mm)

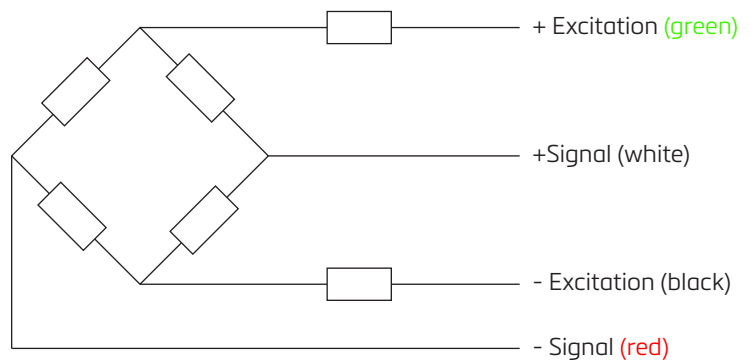


wiring

The sensor is provided with a 28AWG
4-conductor cable

Standard cable jacket: PVC

Standard cable length: 0.5m



Specifications and dimensions are subject to change without notice.