

---

# 52-10 height adjustable rubber foot



## product description

Designed for high accuracy weighing results when combined with the blind-hole load introduction available on Flintec load cells.

The 52-10 rubber foot is self-aligning and has the added feature of being height adjustable making ideal for industrial platform scales and a wide range of weighing tasks. The height is adjustable by rotating the foot. The 52-10 is especially designed for the SB4, SB5, SB6, SLB, SB9 and SB14 beam load cells.

## applications

Industrial platform scales, low capacity vessel weighing systems.

## accessories

Fixation plate

---

## key features

Height adjustable design

---

Blind-hole load introduction

---

Low profile

---

Very easy to install

---

Capacity range: 20 kg to 2,500 kg

---

Zinc plated tool steel or stainless-steel construction options

---

Sizes available to suit a wide range of load cell capacities

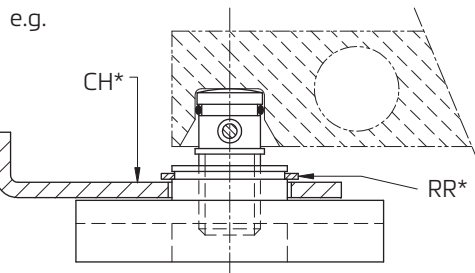
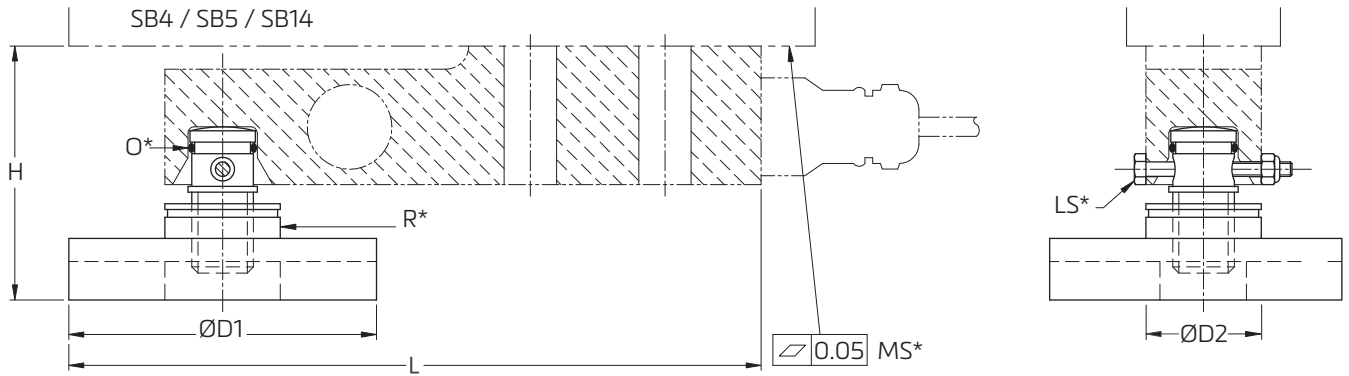
---

W&M certified

---



product dimensions (mm)



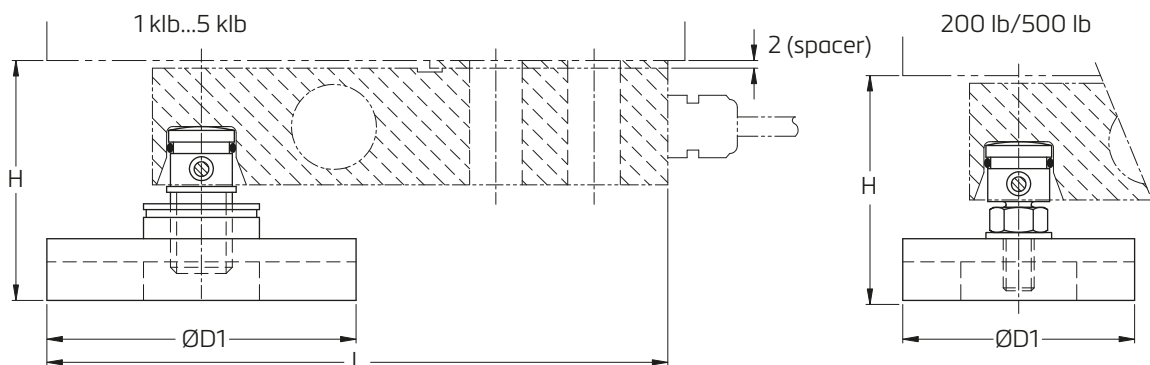
- O\* - O-ring
- R\* - Receptor for hook or other hardware
- LS\* - Locking screw
- MS\* - Load cell mounting surface
- CH\* - Connection hook for ramps
- RR\* - Retention ring
- S\* - Shim installed for height adjustment

Load Cell Type	Capacity	D1	D2	L	H
SB6	200...500 N (20,4...204 kg)	60	-	150	65...71*
SLB / SB9	200...500 lb (91...227 kg) / 250 kg			154	57...63*
		1...5 klb (454...2268 kg) / 500...2000 kg	30	164	59...67*
SB14	0,5...5 klb (227...2268 kg)	80			180
SB4 / SB5	5...20 kN (510...2039 kg)				

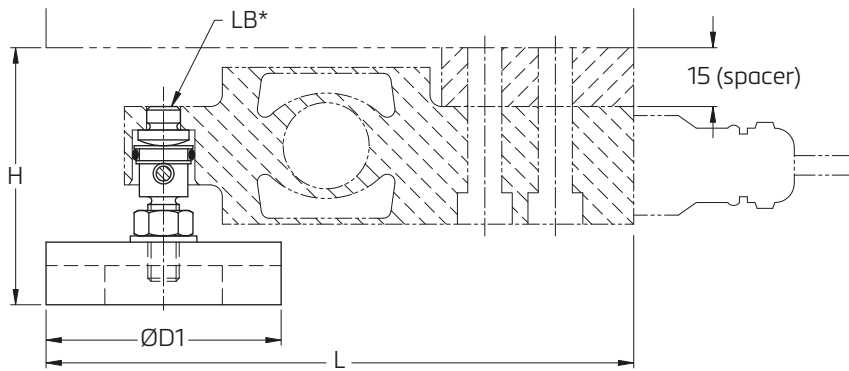
\* Including spacer.

CAD files for customer's own application drawings are available for download from the Flintec homepage.

details of SLB load cell



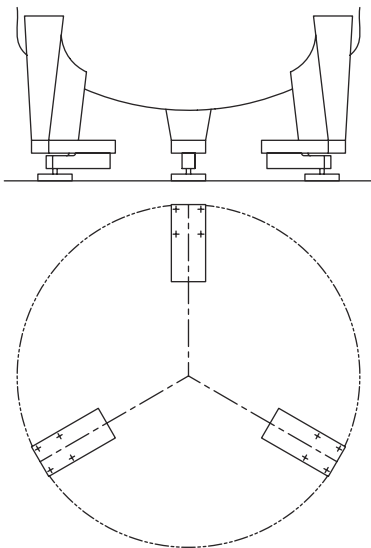
## details of SB6 load cell



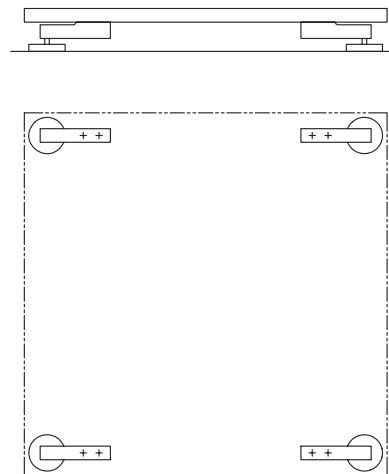
LB\* - Load button

## example setups

Tank weighing system with 3 load cells  
(recommended base plate 52-00 included)



Platform scale with 4 load cells



Specifications and dimensions are subject to change without notice.