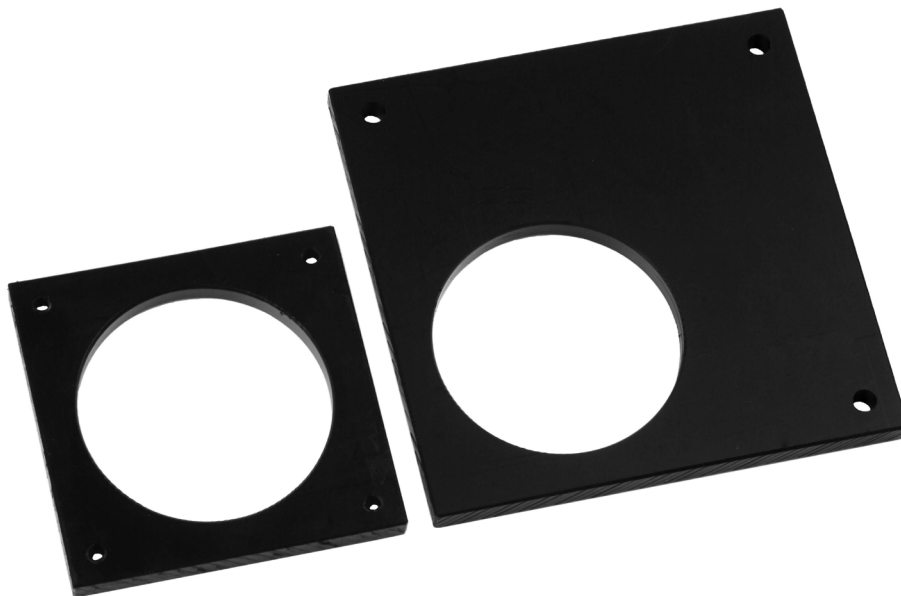


---

# fixation plates for rubber feet



## product description

Fixation plates are designed to secure the feet of platform scales and thereby helps to stop the platform from moving from the installed position. Two versions are available – either symmetric for new installations or for retro-fit applications, an asymmetrical version is available that eliminates the need to lift the scale system.

Fixation plates for Rubber Feet Type 52-02, Type 52-10 and Type 52-15.

## applications

Industrial platform scales, low capacity vessel weighing systems.

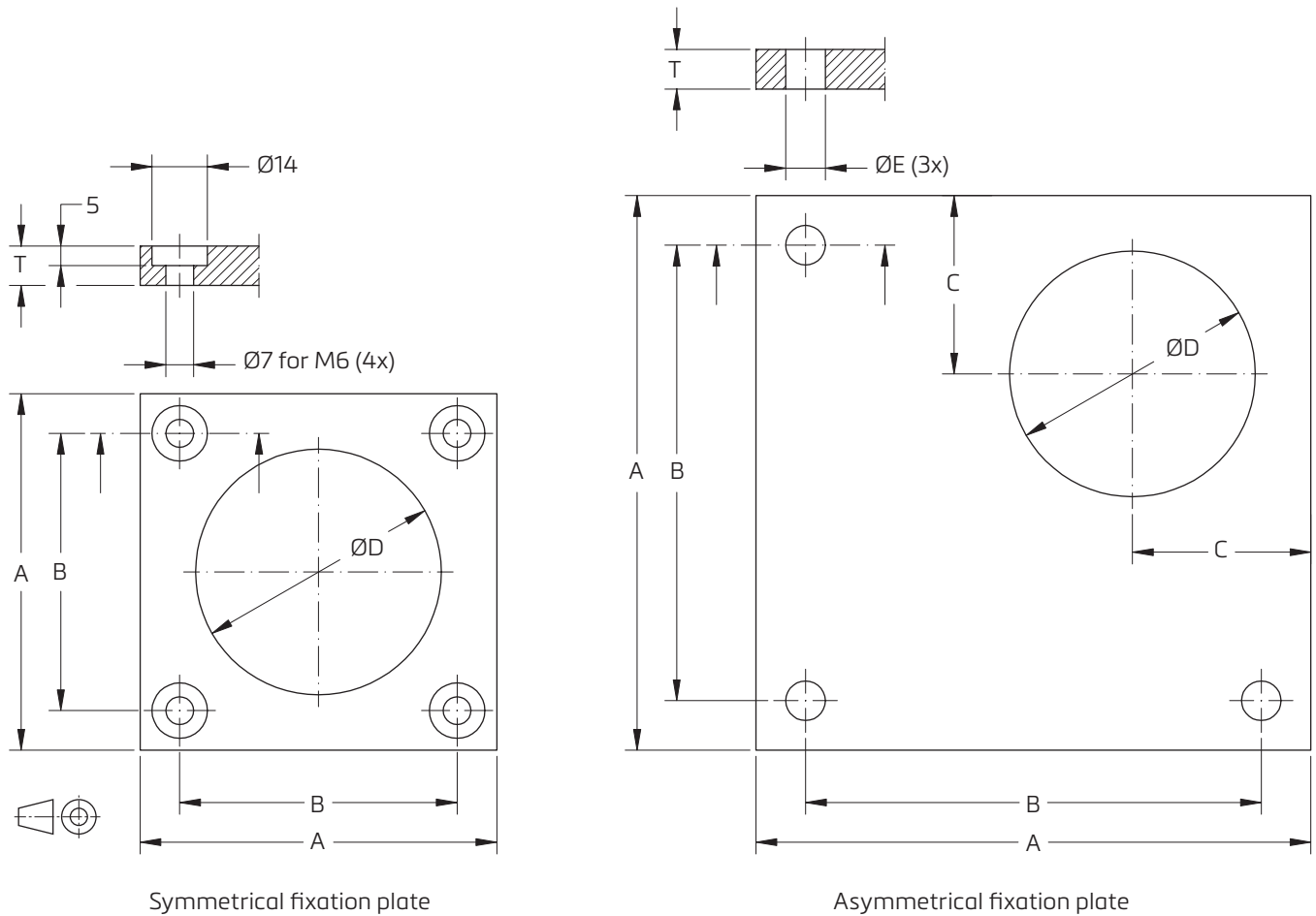
## key features

Symmetric or asymmetric versions

Black polypropylene construction



product dimensions (mm)



Type	A	B	C	D	E	T
Symmetrical for foot with diameter 60	90	70	n.a.	66	n.a.	10
Symmetrical for foot with diameter 80	110	90	n.a.	86	n.a.	10
Asymmetrical for foot with diameter 60	140	115	45	66	10 for M8	10
Asymmetrical for foot with diameter 80	160	135	55	86	10 for M8	10
Asymmetrical for foot with diameter 100	180	155	65	108	12 for M10	15

Specifications and dimensions are subject to change without notice.