

KA-1 junction box



product description

The KA-1 junction box connects a single load cell or force sensor to Flintec instrumentation.

Manufactured from aluminium with a painted finish and rated at IP66, it's useful for a broad range of applications. Devised for 4 or 6 wire load cells, connection via screw terminals.

applications

Universal applications in weighing machinery, Process Weighing, test & measurement and process automation and control sectors.

key features

Painted aluminium construction

Environmental protection rated to IP66

Single load cell connection

4 or 6 wire devices

Maximum cable diameter of 8mm

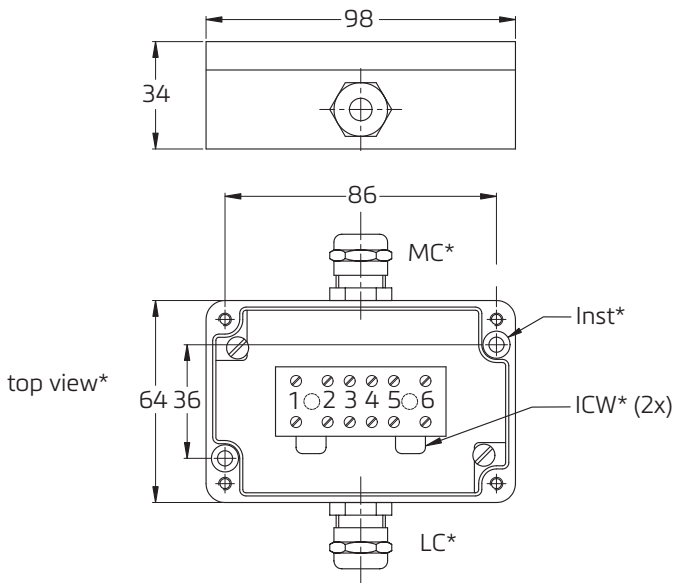
Cable connection with screw terminals



RoHS
compliant



product dimensions (mm)



key

top view* - Top view of the junction box with-out its cover

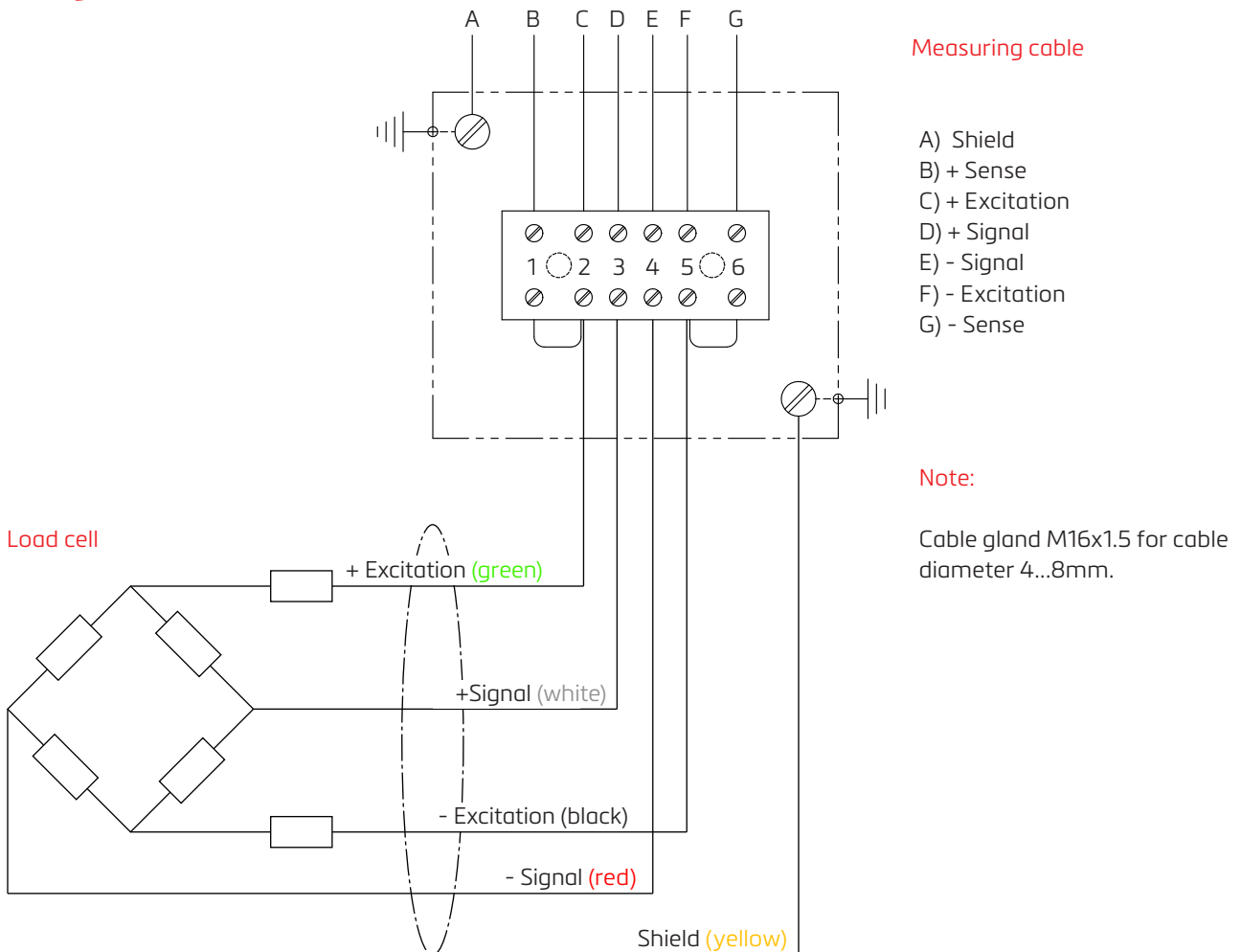
MC* - Connection side for measuring cable (M16x1.5)

Inst* - Installation with M4x15

LCW* - Interconnection wire (2x)

LC* - Connection side for load cell cable (M16x1.5)

wiring



Dimensions and specifications are subject to change without notice.