

# KPFD-8 junction box



## product description

The KPFD-8 junction box is intended for use with the Flintec RC3D digital truck scale load cell range. It's ideally suited for use in way bridges and silos.

Constructed from polyester, a total of 8 load cells can be connected together. The junction box is rated IP66 for outdoor use. It also includes surge arrestors for lightning protection. Load cell connection is via screw terminals.

## applications

Universal applications in weighing machinery, process weighing, test & measurement and process automation and control sectors.

## key features

Polyester construction

Environmental protection rated to IP66

Surge protection circuit

For connection of up to 8 load cells

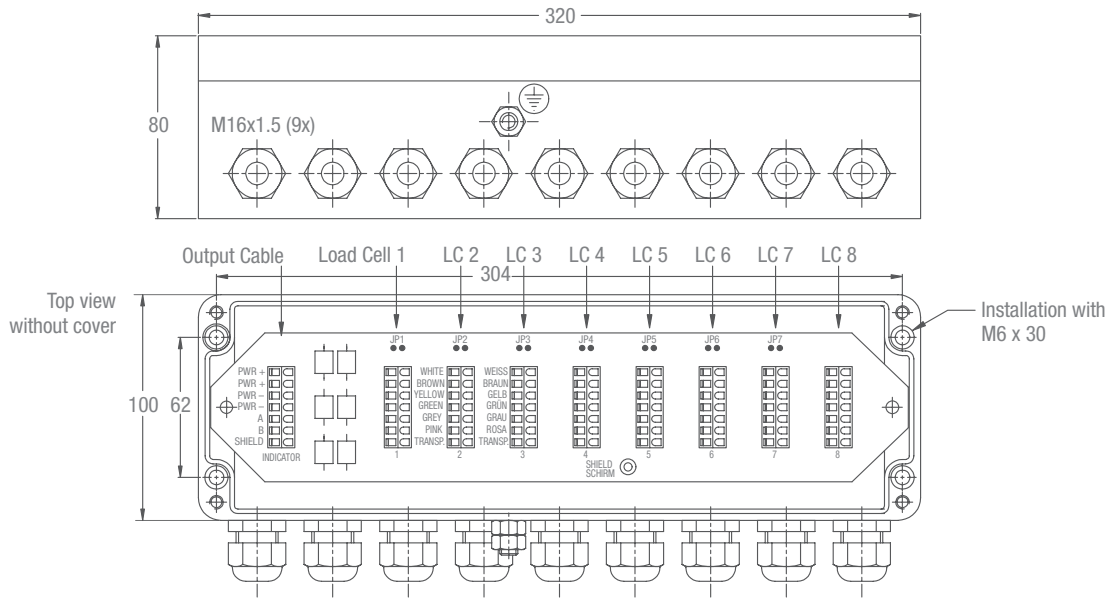
Cable connection with screw terminals



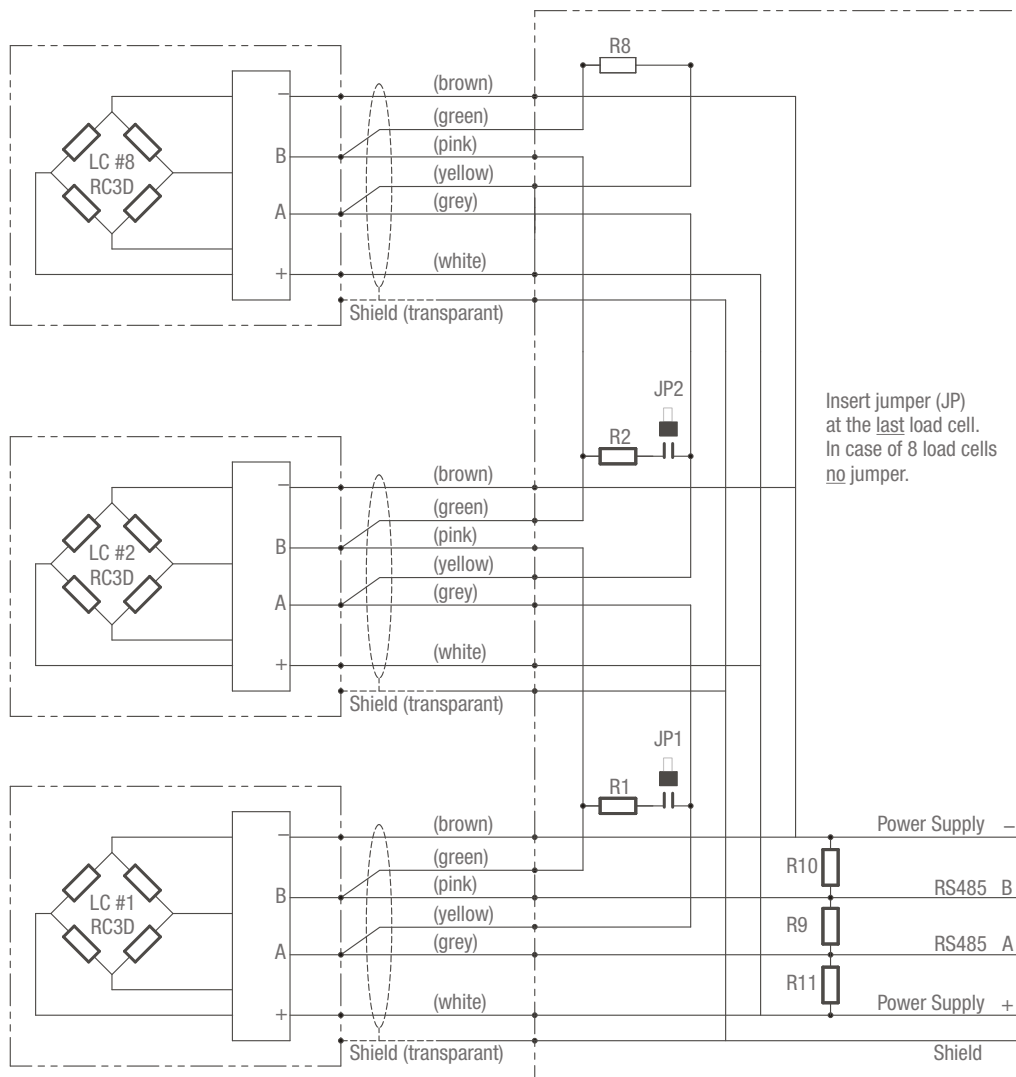
RoHS  
compliant



## product dimensions (mm)



## wiring



### Notes

Cable gland M16x1.5 for cable diameter 5...9 mm.

Insert jumper (JP) at the last load cell. In case of 8 load cells no jumper.

Dimensions and specifications are subject to change without notice.

